

SENDEF

iPDU M40 Programmable AC Power Distribution Units

- Software Controlled
- SCPI over IP
- Touch Screen TFT LCD display for manual operation
- Long term data acquisition
- Current Limiting with Cutoff and Warn options
- Over/Under Voltage protection with different Warn and Cutoff levels
- 19" Rack mount



SENDEF iPDU is a software-controlled, intelligent Power Distribution Unit, designed for use in industrial automation and automatic test equipments.

Units have single and three phase outputs depending on the model.

Output channels can be turned on/off sequentially at specified times. Desired channels in order can be included/excluded in/from the on-off scenario. Sequential on-off times are adjustable between 0.1 seconds and 999.9 seconds.

Units can also be managed with PDU Manager software over the 10/100 Mbits Ethernet interface. Sequential on-off scenarios created with PDU Manager software are independent of the RCU.

iPDU supports SCPI protocol. Users can integrate the units into their own environment using the SCPI protocol over the Ethernet interface.

All the settings and configurations can be made through Touch Screen TFT LCD on the Remote Control Unit (RCU). There is an Emergency Stop Button on the RCU, as well. Live status of all channels can be monitored on the RCU main screen. Please see RCU Section for more details.

There is a 105 dBA buzzer inside the PDU. Besides visual warnings, current/voltage anomalies are notified to the user audibly.

There is a real time counter (ETI) on the PDU. ETI is independent of all other components and it shows the total time that the unit has remained active.

In the front panel of the PDU, there are manual on/off switches and for standalone operation and thermal circuit breakers.

Features

- *19" Rack Mount (height depends on the configuration)*
- *Input voltage measurement*
- *Precision output current measurement for each outlet group*
- *SCPI over TCP/IP*
- *PDU Manager support*
- *Adjustable Under/Over Voltage Protection (Warning and Cut-off limits can be set independently)*
- *Adjustable Current Limit Function (Independent for each output group. With Cut/Warn options)*
- *Sequential on-off (0.1 sec – 999.9secs)*
- *Input/Output indicators*
- *Elapsed Time Indicator*
- *IEC 320 C13/C19 outputs*
- *Terminal Block Outputs*
- *Ambient temperature sensor*

→ *iPDU can be ordered in different input-output configurations according to user requirements. See Part Numbering Section.*

→ *Please check our web site for detailed information about **PDU Manager Software***

SENDEF™ and **iPDU™** are Registered Trade Marks of Sendef Savunma Inc.

iPDU M40

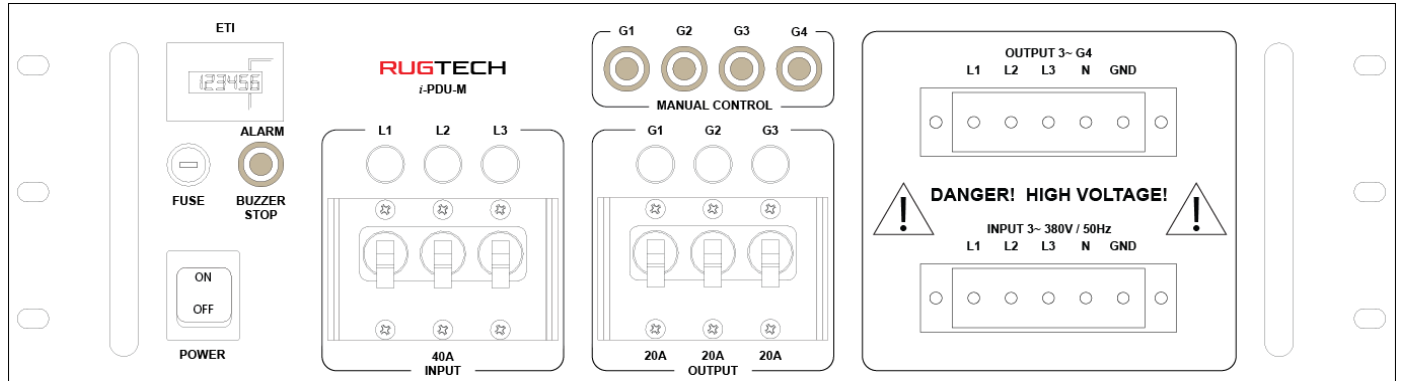


Specifications (Based on iPDU-M40-1P40-3G20)

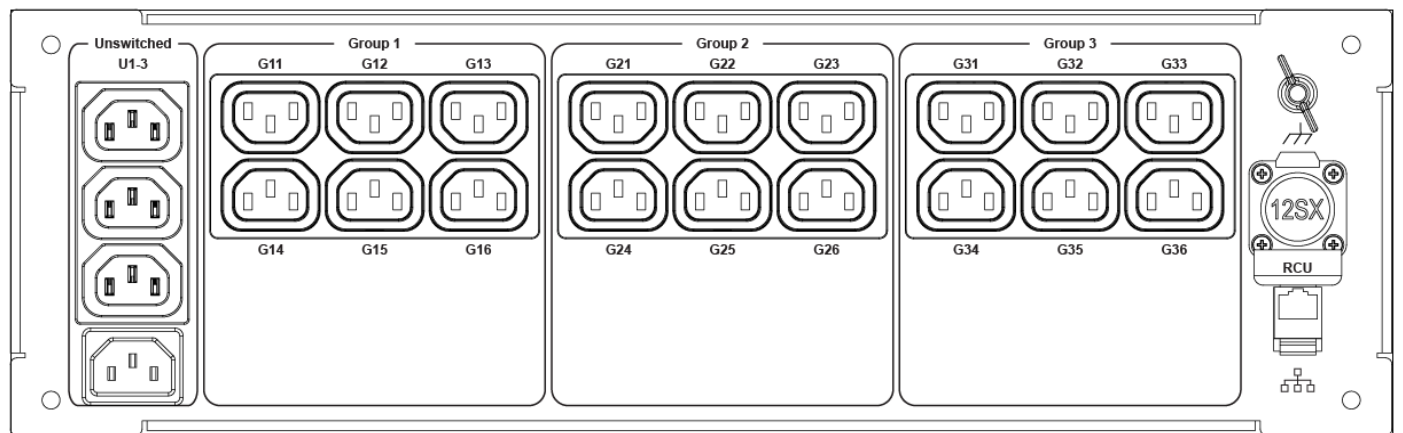
Input	380VAC 3~ 50/60Hz 40A
Output Single Phase	220VAC1~ 50/60Hz
Current Output (3~)	30A per Phase
Current Output Per Channel (1~Outputs)	20A ¹
Input Main Circuit Breaker	40A
3-Phase Input	1 x 5Pole Terminal Block(13mm pitch)
3-Phase Outlet	5 Pole Terminal Block (13mm pitch)
Single Phase Outlets ¹	3 x Group of 6 IEC-C13 (18 Total)
Output Circuit Breakers	40A/20A/20A/20A
Total Output Power	8.8 kW

¹ A single phase output group is composed of 6 x IEC 320 C13 outlets. Every group can provide 20A/30A/40A (depending on the configuration) in total. Each single IEC 320 C13 outlet is limited to 10A max.

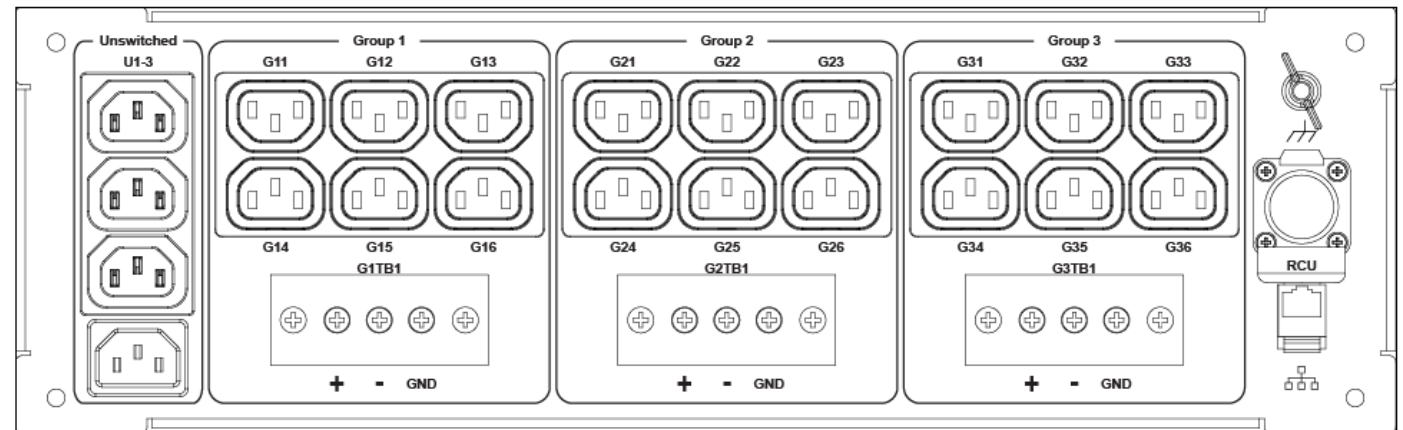
PDU Main Chassis Mechanical Outline²



iPDU-M40 Front



iPDU-M40 Back



iPDU-M40 Back (with Terminal Block Outlets)

Dimensions:(Based on iPDU-M40-1P40-3G20)

- Front : 482.6mm x 133 mm (3U)
- Back : 425mm x 131.5mm
- Depth :420mm (excluding handles and connectors)

² Drawings are for reference only. Not to scale. The design depends on the model and the options.

Remote Control Unit - RCU



The Remote Control Unit, RCU, is designed to be used with iPDU series Power Distribution Units.

The RCU is a 1U high PDU control and management unit. It provides easy access for PDU monitoring and configuration operations.

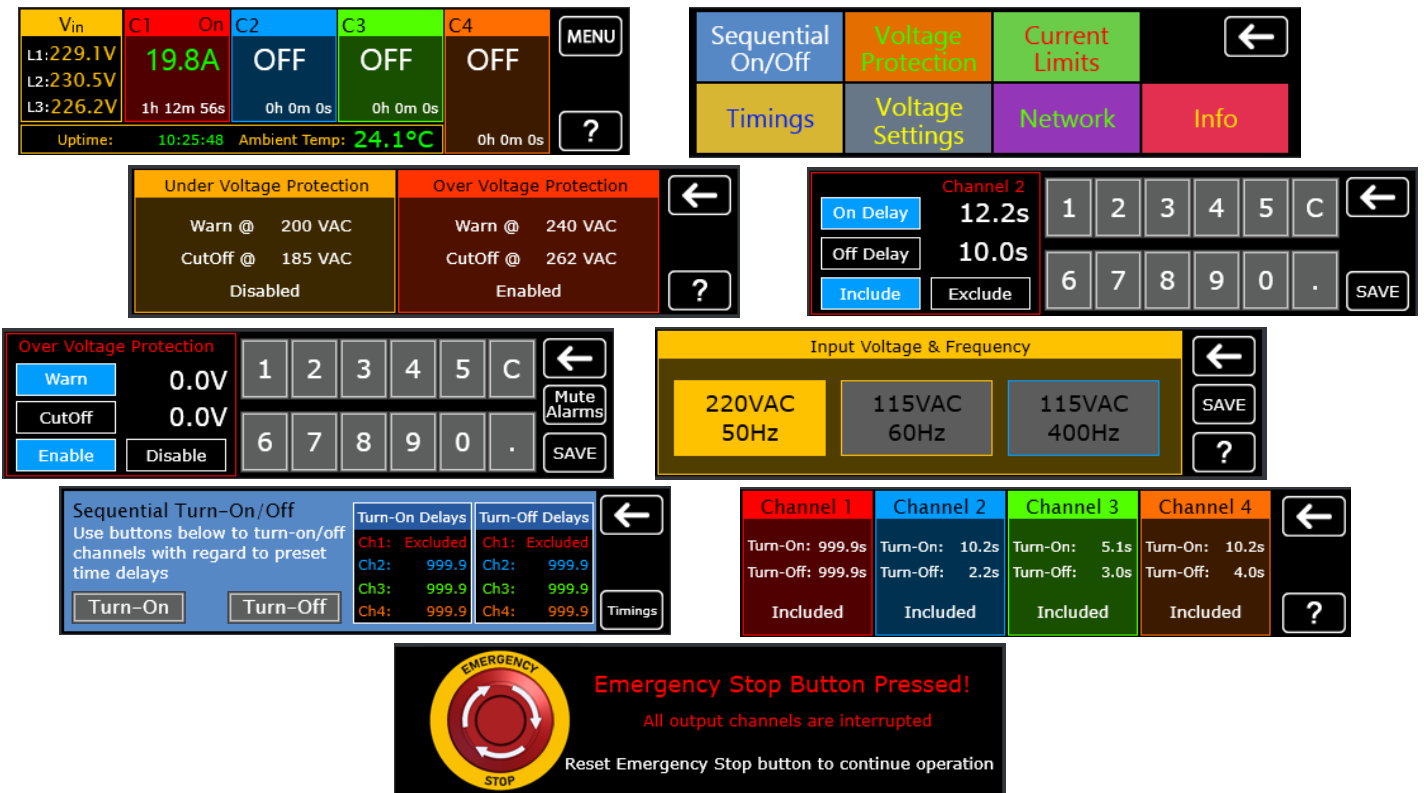
Usually, the PDU is placed at the back of the rack in automatic test systems. The RCU is used in the front, at a location that the user can access at any time easily.

Despite its simple appearance, RCU is a sophisticated remote management and control unit. It has a 3.8" touch TFT LCD screen. All configurations and settings regarding the PDU can be made through this touch screen. These include, Channel On/Off, Sequential On/Off Time Setting, Setting Current Limits and Behaviors, Voltage Protection Settings, Network Parameter Settings and more.

There is also a mechanical Emergency Stop Button on the RCU. It offers the user the opportunity to cut off the output voltage when an unexpected situation occurs in the user's system. When pressed, all output channels, are cut off mechanically, without interaction of any electronics, processors etc.. To reset, you need to turn the button.

3.8" Touch Screen TFT LCD Display

Users can perform all operations such as management, configuration and monitoring using the multi-function touch screen.



Remote Control Unit Mechanical Outline³



Dimensions:

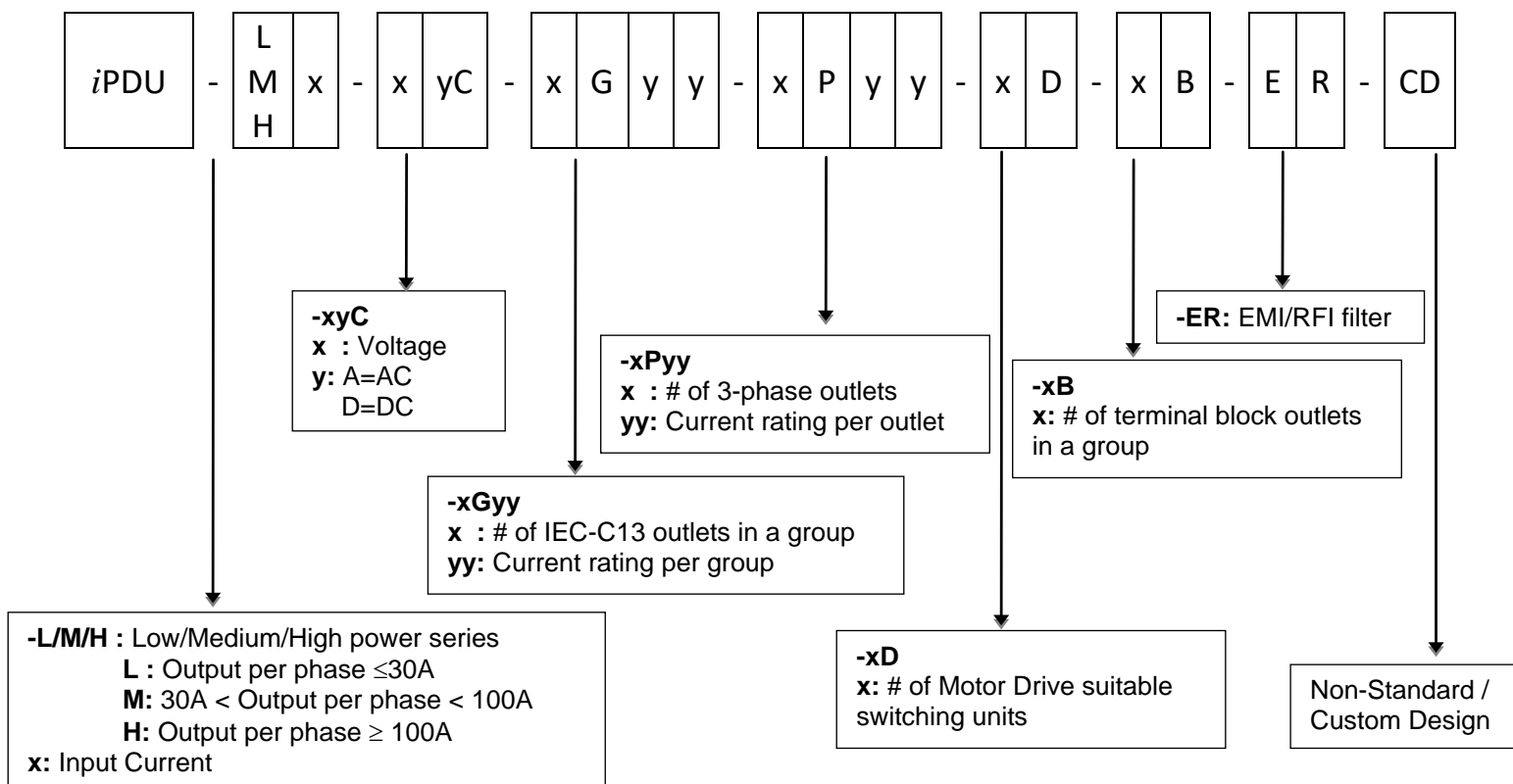
Front : 482.6mm x 44.45mm (1U)

Back : 425mm x 43mm

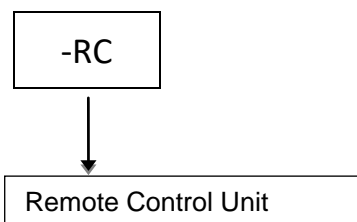
Depth : 175mm (excluding handles and connectors)

³Drawings are for reference only. Not to scale. The design depends on the model and the options.

iPDU Series Power Distribution Units Part Number Guide



* Some of the options are mutually exclusive. e.g. a DC unit can not be configured with 3-phase outputs. Please check before ordering.



SENDEF™ and iPDU™ are Registered Trade Marks of Sendef Savunma Inc.

SENDEF

Contact

Sendef Savunma Inc.

Macun Mahallesi 177. Cad. No:28/67 Yenimahalle 06105 Ankara Türkiye

0312 544 0220

contact@sendef.com.tr

www.sendef.com.tr